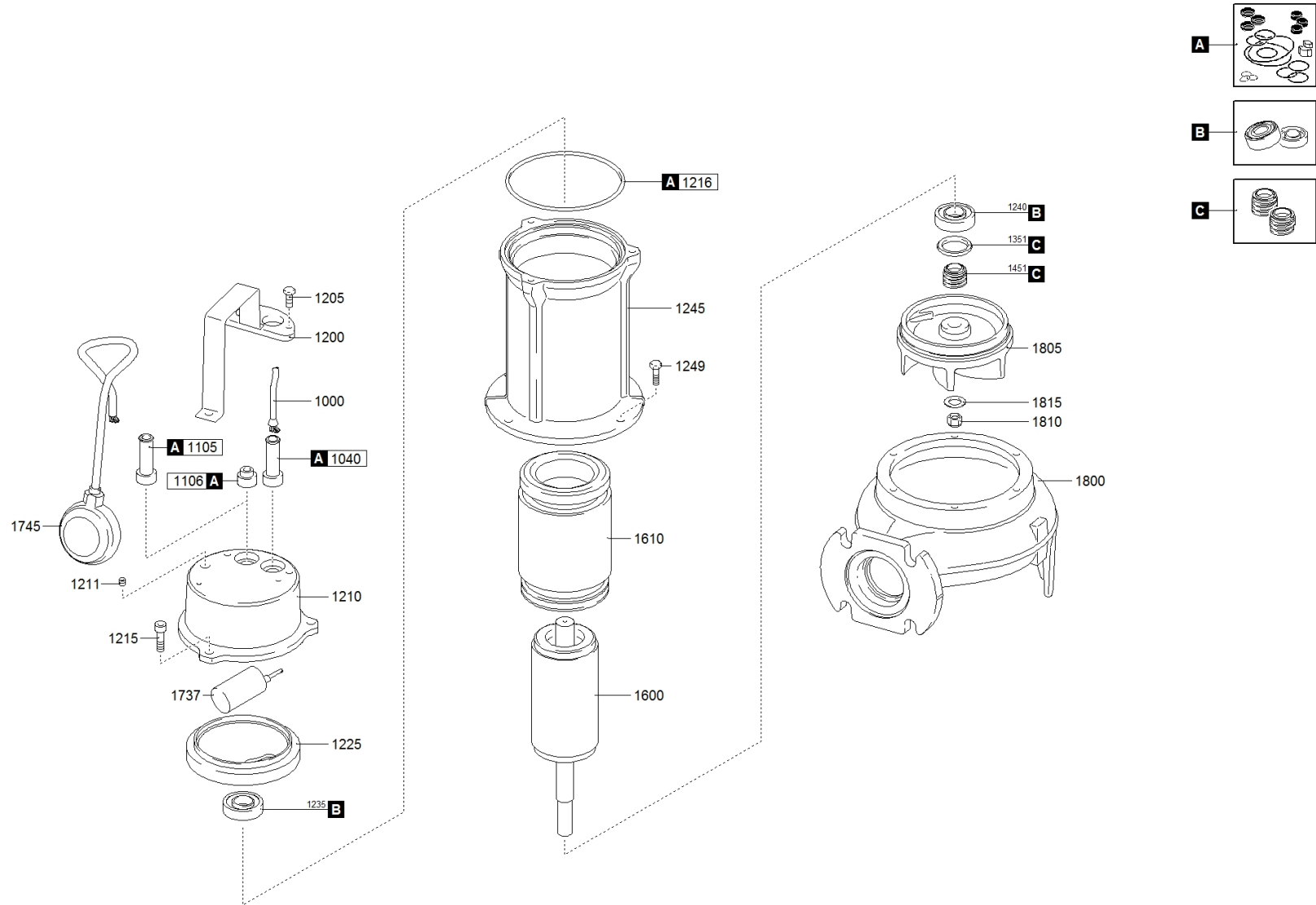


1123.013 - DGE 50/2/G50H A1BM5 NGTGQ21U23N00WH





water solutions



1123.013 - DGE 50/2/G50H A1BM5 NGTGQ21U23N00WH

| | | Code | | Description | | Q.ty | Price (€) |
|------|--|--------------------|--|---------------------------------|--------|------|-----------|
| A | | 601039001 | | GASKETS KIT | 805503 | 1 | |
| C | | 602002011 | | MECHANICAL SEALS KIT | 805504 | 1 | |
| B | | 604002231 | | BEARINGS KIT | 805505 | 1 | |
| 1000 | | 250102304010200000 | | POWER CABLE | | 1 | |
| 1040 | | 235672106900 | | RUBBER GASKET [POWER CABLE] | 711413 | 1 | |
| 1105 | | 235672106900 | | RUBBER GASKET [FLOAT SWITCH] | 711413 | 1 | |
| 1200 | | 235330411020 | | HANDLE | | 1 | |
| 1205 | | 270830610123200000 | | SCREW [HANDLE >> COVER] | 802092 | 2 | |
| 1210 | | 232110110530 | | COVER | | 1 | |
| 1211 | | 270139510104000000 | | CAP [TIGHTNESS TEST] | 802099 | 1 | |
| 1215 | | 270830610143200000 | | SCREW [COVER >> MOTOR CASE] | 806113 | 3 | |
| 1216 | | 271770098035000000 | | GASKET [COVER >> MOTOR CASE] | | 1 | |
| 1225 | | 230650100069 | | UPPER BEARING HOLDER | | 1 | |
| 1235 | | 2729062010200000 | | UPPER BEARING | 711365 | 1 | |
| 1240 | | 2729062010200000 | | LOWER BEARING | 711365 | 1 | |
| 1245 | | 231010110550 | | MOTOR CASE | | 1 | |
| 1249 | | 270830510161200000 | | SCREW [MOTOR CASE >> PUMP BODY] | | 4 | |
| 1351 | | 237970120240700000 | | LOWER LIP SEAL [LOWER BEARING] | 711359 | 1 | |
| 1451 | | 230000010120000000 | | 1st MECHANICAL SEAL | 711373 | 1 | |
| 1600 | | 230230011215900 | | SHAFT WITH ROTOR | | 1 | |
| 1610 | | 230801121001000000 | | WOUND STATOR | 802376 | 1 | |
| 1650 | | 2790300422785 | | DATAPLATE | | 1 | |
| 1655 | | 273130000000 | | RIVET [DATAPLATE] | 802085 | 2 | |
| 1737 | | 25170040000000 | | CAPACITOR | 711020 | 1 | |
| 1745 | | 254500404100000 | | FLOAT SWITCH | | 1 | |
| 1800 | | 21251410820124402 | | PUMP BODY | | 1 | |
| 1805 | | 21411400630611570 | | IMPELLER | 711357 | 1 | |
| 1810 | | 27073101902100000 | | LOCKING IMPELLER | | 1 | |
| 1815 | | 270530808202000000 | | LOCKING WASHER [IMPELLER] | | 1 | |

